

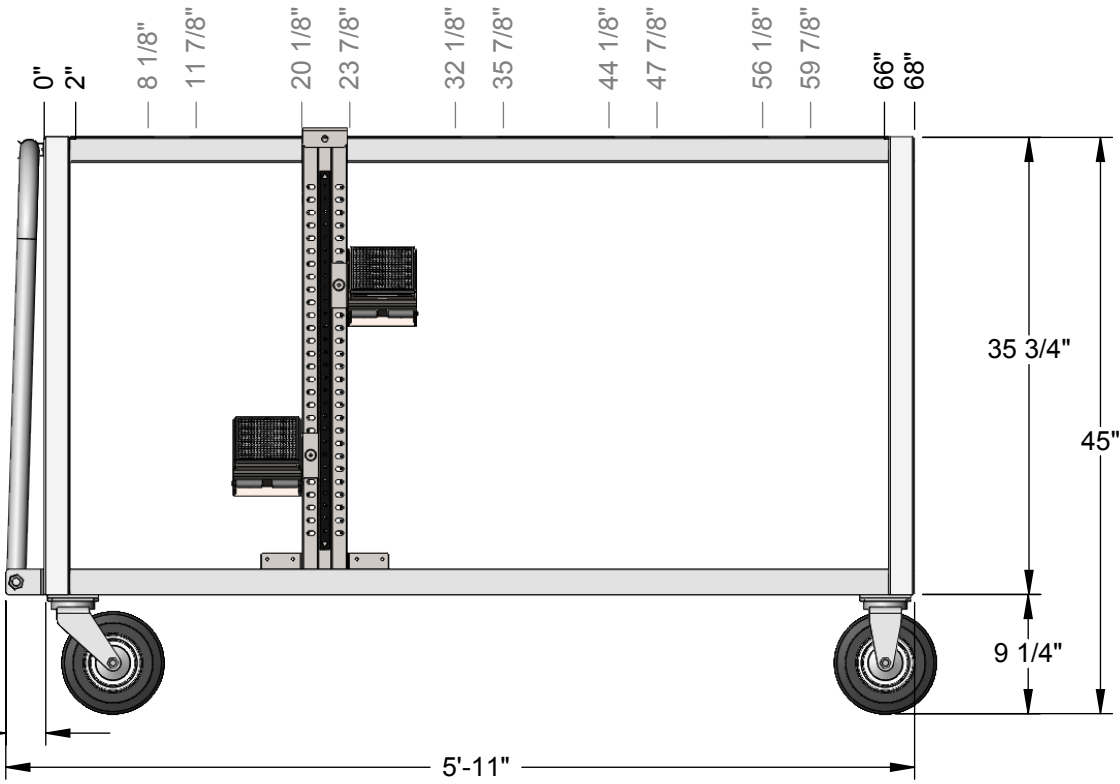
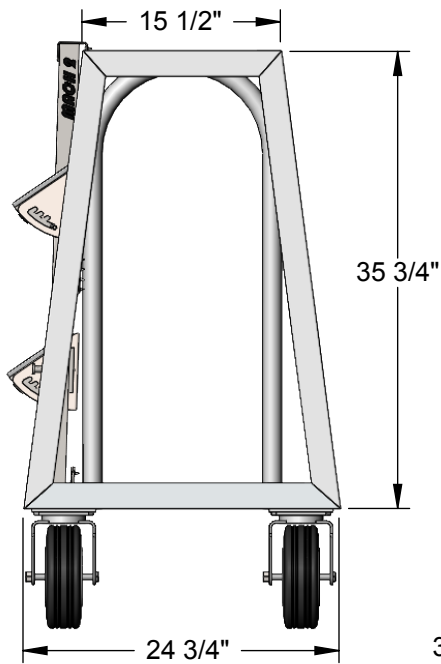
AAE Model No. ABC
Aluminum Block Cart



Aluminum Athletic Equipment
1000 Enterprise Drive, Royersford, PA 19468
Toll Free: (800) 523-5471 Fax: (610) 825-2378
www.AAEsports.com

ABC - Aluminum Block Cart Specifications

D



D

C

C

Handle Holder
vinyl-coated spring steel
(Securely holds handle in place)

Aluminum U-Handle
Ø 1-1/2" x 35-1/2", 6061T6
(ergonomic design)

MACH-2
(not included with cart)

Semi-Pneumatic Wheels
(8" dia., 2 Fixed & 2 Swivel)

Aluminum Channel
2" x 4" x 1/8", 6061T6

Slotted Aluminum Frame
2" sq. x .125" wall, 6061T6
(holds up to 10 starting blocks)

Notes/Features:

- Completely welded aluminum frame
- Product includes AAE Lifetime Warranty
- Upon request cart can be customized w/ stainless steel hooks to accommodate different types of starting blocks
- Model ABC-L includes locking feature

B

B

A

A



Aluminum Athletic Equipment
1000 Enterprise Drive, Royersford, PA 19468
Toll Free: (800) 523-5471 Fax: (610) 825-2378
www.AAEsports.com

DESCRIPTION			
ABC - Specifications			
NOTE: Aluminum Block Cart			
MODEL:	ABC	CATEGORY:	CUSTOMER
		DATE:	07/21/11
DWN. BY:	CAD FILE:	DWG. NO.	
TAD	ABC Mach Block Cart- Specifications	ABC-C-001	

6

5

4

3

2

1