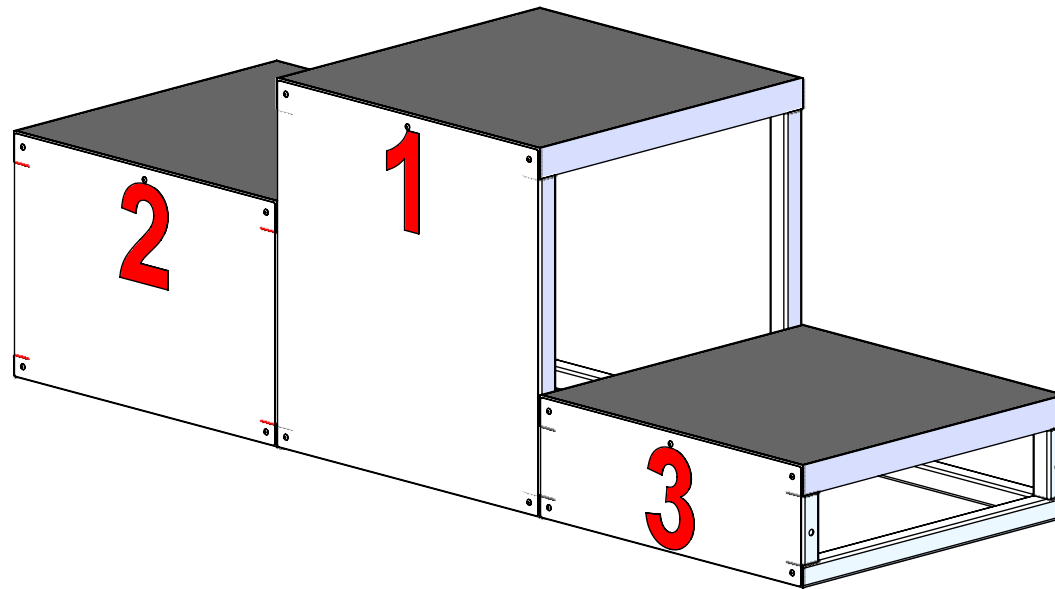
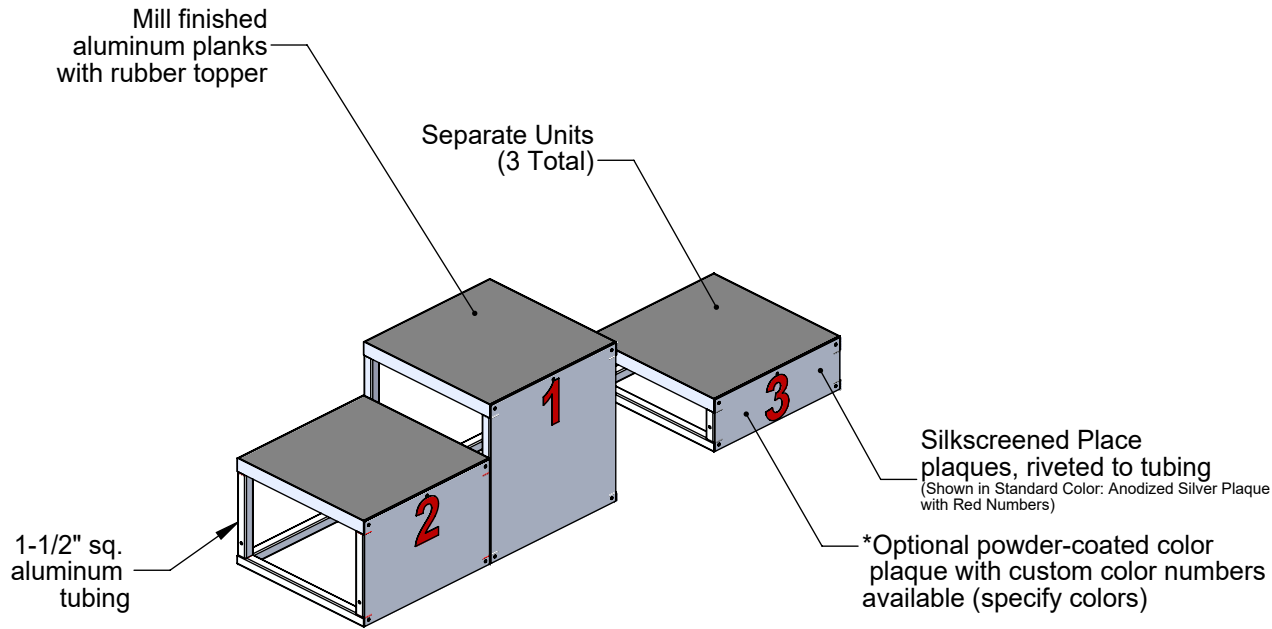
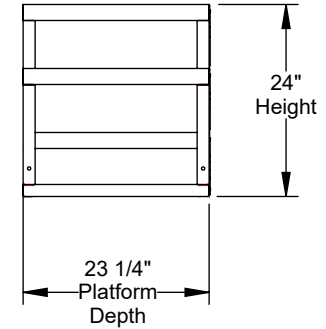
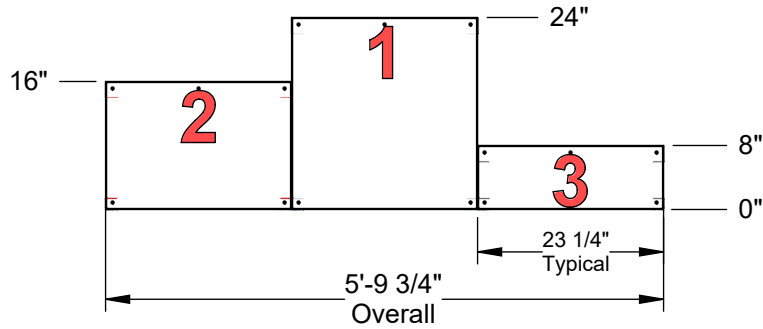


AAE Model No. AS Award Stand



Aluminum Athletic Equipment
1000 Enterprise Drive, Royersford, PA 19468
Toll Free: (800) 523-5471 Fax: (610) 825-2378
www.aesports.com

3 Place Award Stand Specifications

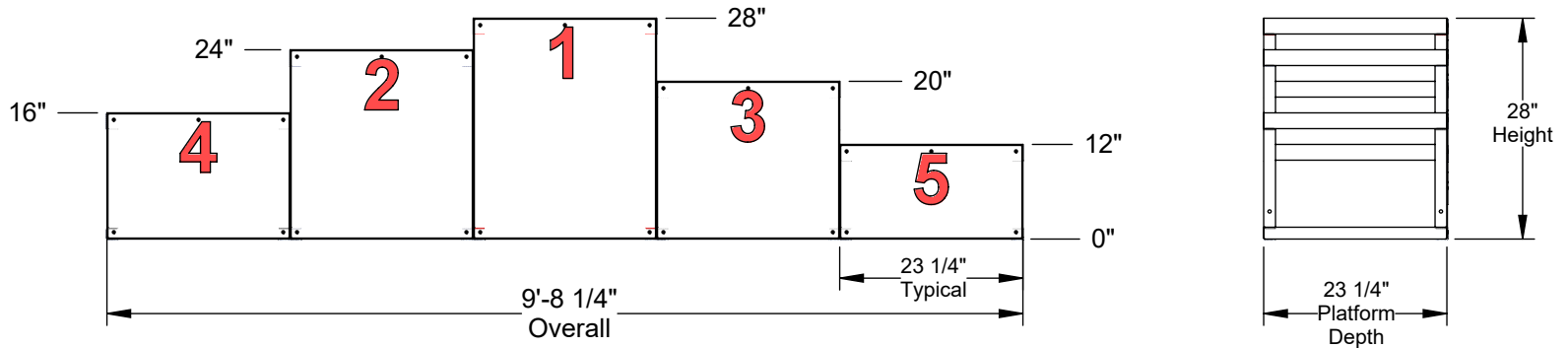


Note:
Units all bolt together for stability

Overall Weight = 93 lbs.

 Aluminum Athletic Equipment 1000 Enterprise Drive, Royersford, PA 19468 Toll Free: (800) 523-5471 Phone: (610) 825-6565 www.AAEsports.com		
DESCRIPTION:		
3 Place Award Stand - Specifications		
NOTE:		
Custom - Powder-coated Finish Available		
MODEL:	CATEGORY:	DATE:
AS-3	CUSTOMER	1/24/2022
DWN. BY:	CAD FILE:	DWG. NO.:
NR	3 Place Award Stand - Spec	AS-3-C-001

5 Place Award Stand Specifications



Optional:
Aluminum Step-up
(Behind 1, 2 & 3)
(At additional cost)

Mill finished
aluminum planks
with rubber topper

Separate Units
(5 Total)

1-1/2" sq.
aluminum
tubing

Silkscreened Place
plaques, riveted to tubing
(Shown in Standard Color: Anodized Silver Plaque
with Red Numbers)

*Optional powder-coated color
plaque with custom color numbers
available (specify colors)

Note:
Units all bolt together
for stability

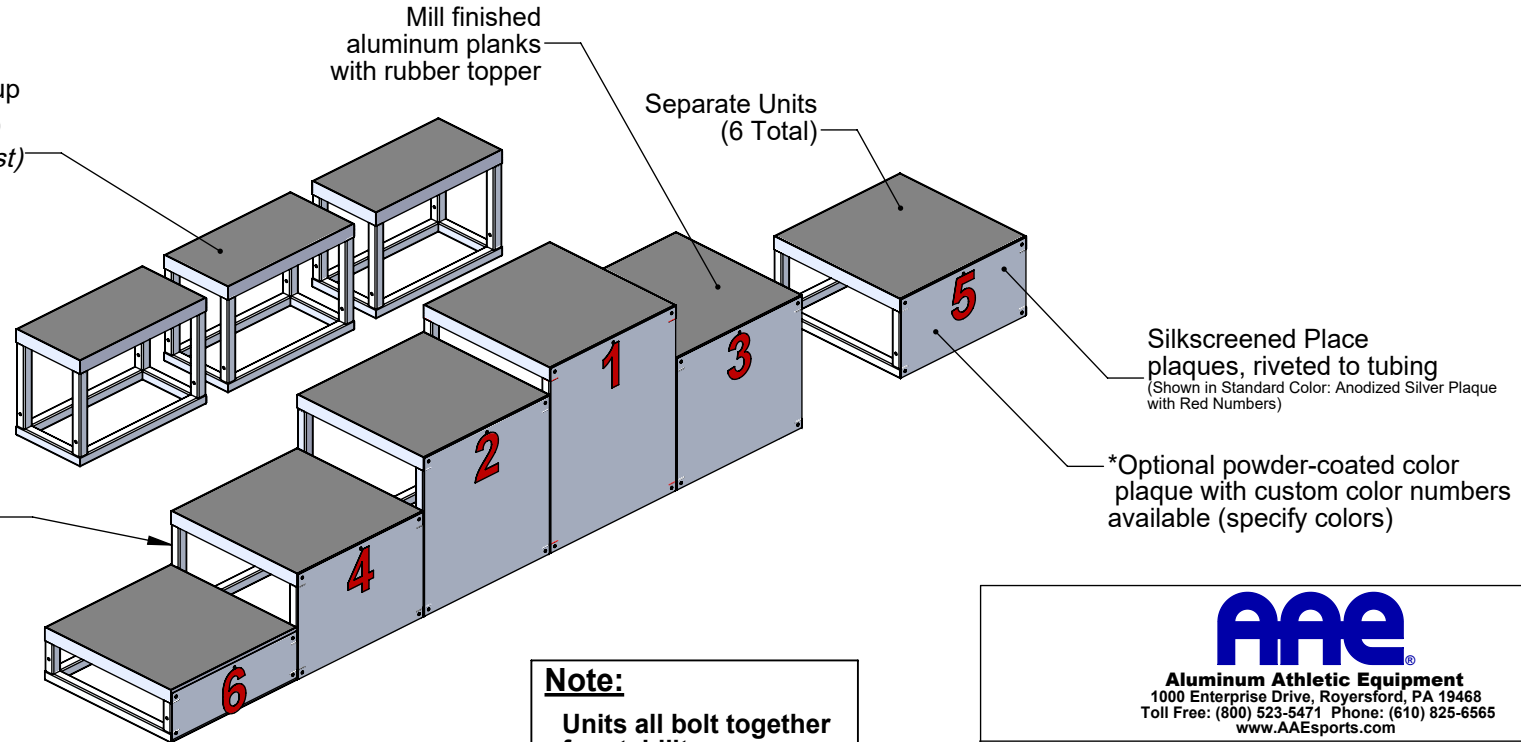
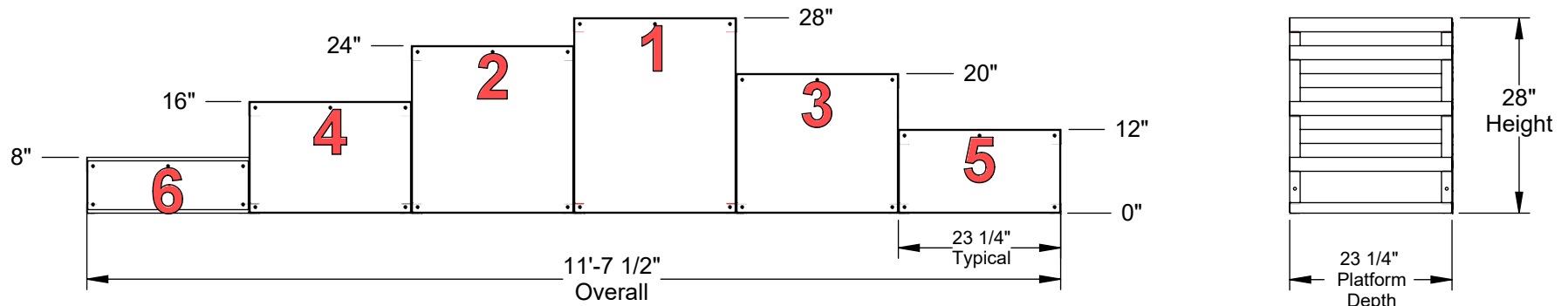
Overall Weight = 175 lbs.



Aluminum Athletic Equipment
1000 Enterprise Drive, Royersford, PA 19468
Toll Free: (800) 523-5471 Phone: (610) 825-6565
www.AAEsports.com

DESCRIPTION:		
5 Place Award Stand - Specifications		
NOTE: Custom - Powder-coated Finish Available		
MODEL: AS-5	CATEGORY: CUSTOMER	DATE: 1/24/2022
DWN. BY: NR	CAD FILE: 5 Place Award Stand - Spec	DWG. NO. AS-5-C-001

6 Place Award Stand Specifications



Note:
Units all bolt together for stability

Overall Weight = 198 lbs.

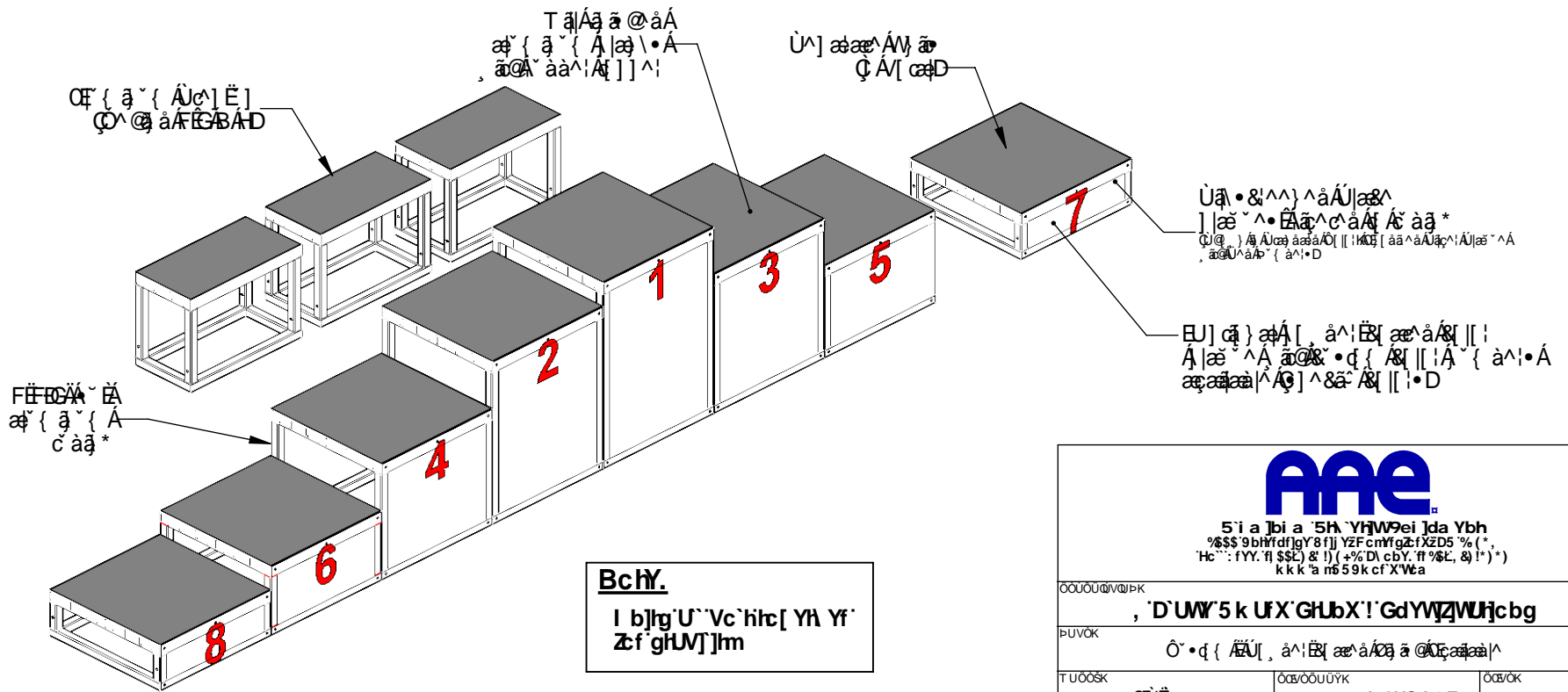
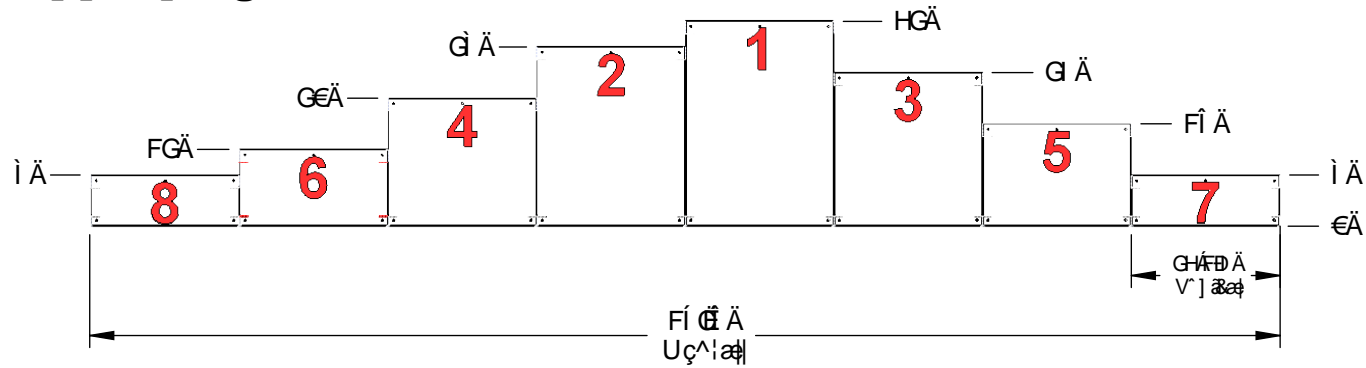


Aluminum Athletic Equipment
1000 Enterprise Drive, Royersford, PA 19468
Toll Free: (800) 523-5471 Phone: (610) 825-6565
www.AAEsports.com

DESCRIPTION:		
6 Place Award Stand - Specifications		
NOTE: Custom - Powder-coated Finish Available		
MODEL: AS-6	CATEGORY: CUSTOMER	DATE: 4/11/2018
DWN. BY: NR	CAD FILE: 6 Place Award Stand - Spec	DWG. NO. AS-6-C-001

'D'UW'5 k UfX'GHUbX

GdYVZ|WU|c|bg



Bchÿ.
 l b]hg`U`Vc`h|c[YH Yf`
 z`f`ghUV]jm

Cj YfU`K Y][\ h1`& - "Vg"

AAE

5'i a]bi a '5h`Yh`W9ei]da Ybh
 %\$\$9bhfdfly8f]YZFcmfgz:fxZD5 % (*,
 Hc": fYY: fl \$S\$) & !)(+%"Dl cbY: fl %\$L, &)!*")
 k k k`a n5 59k cf X`Vta

ÖÖÖÖÖÖVW@P&K
 , 'D'UW'5 k UfX'GHUbX!' GdYVZ|WU|c|bg

PUVÖK
 Ö·ç { ÄÜ], ä ^! Ä æ ^ ä Ä] [! Ä læ ^ Ä äÄ \cdot ç { Ä] [: Ä { ä ^ \cdot Ä æ ç æ ^ Ä ç] ^ ä Ä &] [\cdot D

TUÖÖSK ÖÜÈ	ÖÖVÖÖÜYK 71 GHCA9F	ÖÖVÖK ÖÖÖÖÖFÍ
ÖY PBOYK PÜ	ÖÖEÖÖÖÖH ì Ä Ü]æ ^ Ä ç æ ä Ä U]æ ä Ä Ü]æ] ^ &	ÖY ÖBÖUE ÖÜÈ ÖÖÖEF