

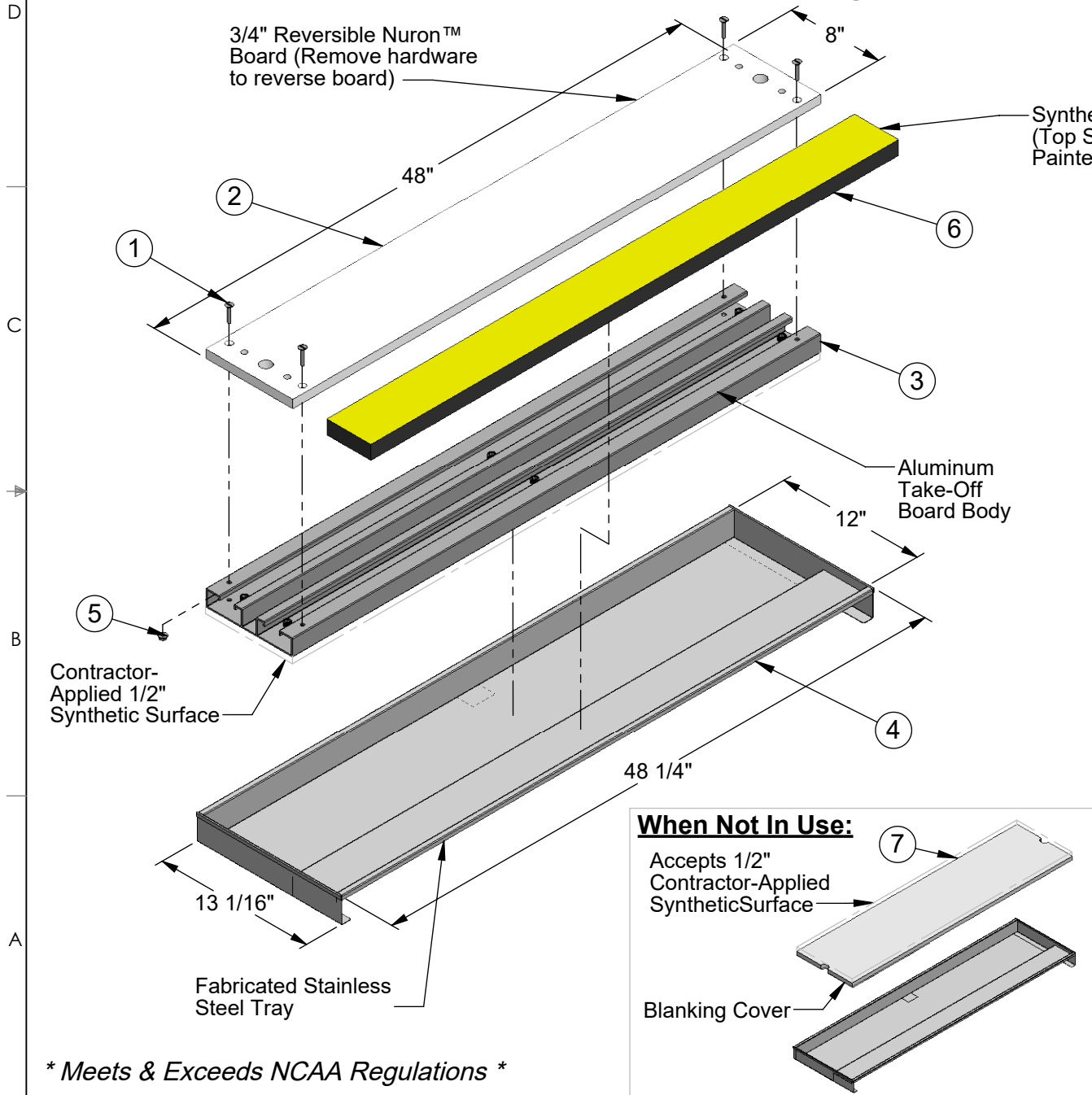
AAE Model No.: CTB-12/L

CTB-12/L - NCAA Take-Off Board System

8" Take-Off Board with 4" Foul Strip

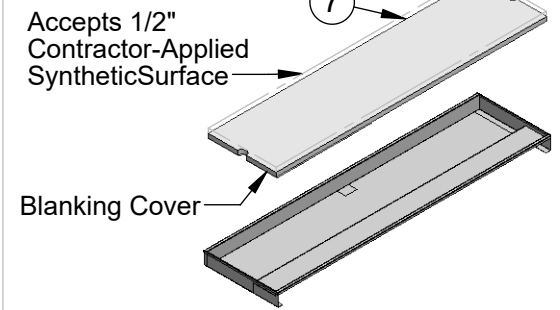
with Leveling Bolts & Contractor-Applied Synthetic Surface

Assembly



Item	Description	Qty.
1	1/4"-20 x 1-1/4" Fl. Hd. Mach. Screw, S.S.	4
2	2BL Board: 3/4" x 8" x 48" Reversible Nuron™ Board (White Entirely Through Board)	1
3	Aluminum Take-Off Board Body: 1-1/2" x 8" x 48"	1
4	12ST Stainless Steel Tray: 2-1/4" x 12-1/4" x 49"	1
5	1/4"-20 Wiz Lock Nut, S.S.	8
6	Synthetic Foul Strip 1-1/4" x 4" x 48"	1
7	Blanking Cover 3/4" (1-1/2" with surface) x 12" x 48"	1

When Not In Use:





Aluminum Athletic Equipment
 1000 Enterprise Drive, Royersford, PA 19468
 Toll Free: (800) 523-5471 Fax: (610) 825-2378
www.AAEsports.com

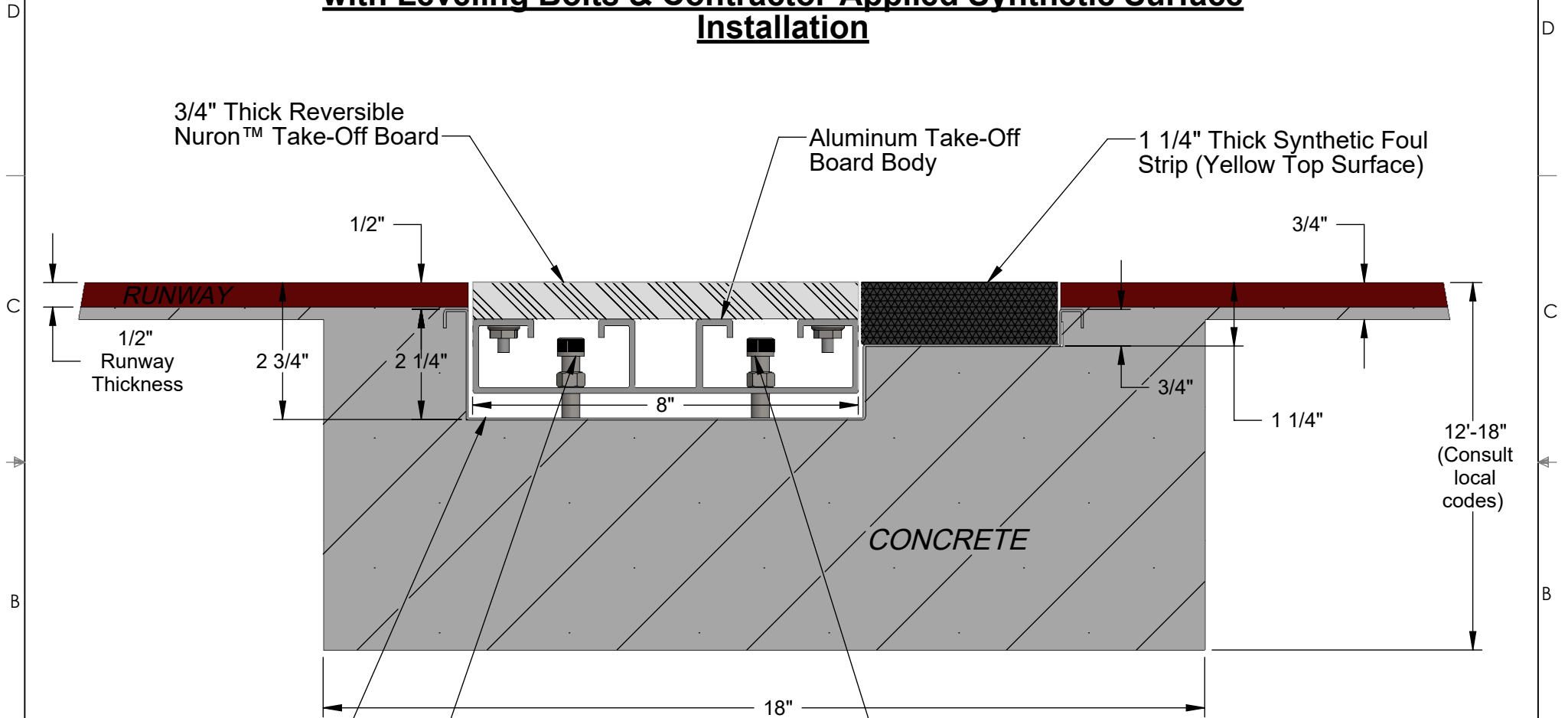
DESCRIPTION: **CTB-12/L - NCAA Take-Off Board System**

NOTE: with Synthetic Foul Strip and Leveling Bolts; Ready for Contractor-Applied Synthetic Surface

MODEL: CTB-12/L	CATEGORY: CUSTOMER	DATE: 10/17/11
DWN. BY: ARP	CAD FILE: CTB-12/L Packet	DWG. NO. CTB-12/L-C-001

** Meets & Exceeds NCAA Regulations **

CTB-12/L - NCAA Take-Off Board System
8" Take-Off Board with 4" Foul Strip
with Leveling Bolts & Contractor-Applied Synthetic Surface
Installation



3/4" Thick Reversible Nuron™ Take-Off Board

Aluminum Take-Off Board Body

1 1/4" Thick Synthetic Foul Strip (Yellow Top Surface)

1/2" Runway Thickness

CONCRETE

1/2" Contractor-Applied Synthetic Surface

Leveling Bolts use a custom tool to extend beyond the underside of the take-off board in order to level the board for competition, eliminating the need for shims



Aluminum Athletic Equipment
 1000 Enterprise Drive, Royersford, PA 19468
 Toll Free: (800) 523-5471 Fax: (610) 825-2378
 www.AAEsports.com

DESCRIPTION:		
CTB-12/L - Installation		
NOTE: 8" Take-Off Board and 4" Foul Strip with Leveling Bolts and No Synthetic Surface		
MODEL:	CATEGORY:	DATE:
CTB-12/L	CUSTOMER	10/17/11
DWN. BY:	CAD FILE:	DWG. NO.:
ARP	CTB-12/L Packet	CTB-12/L-C-002