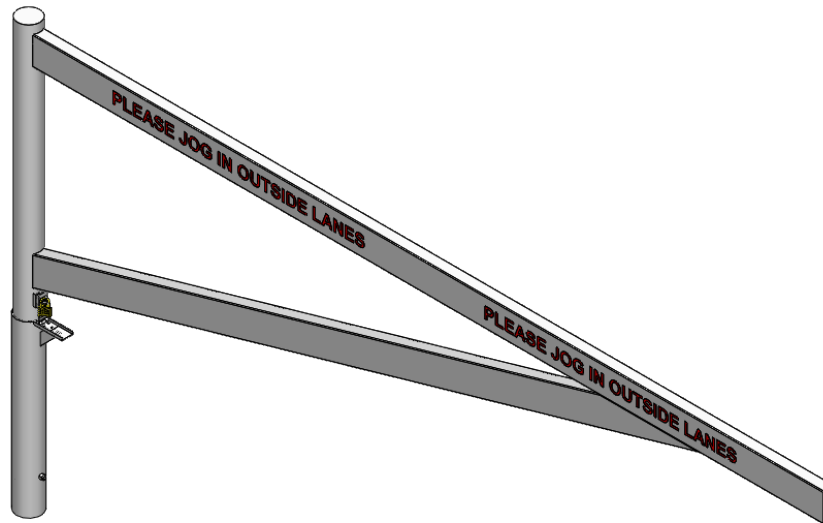


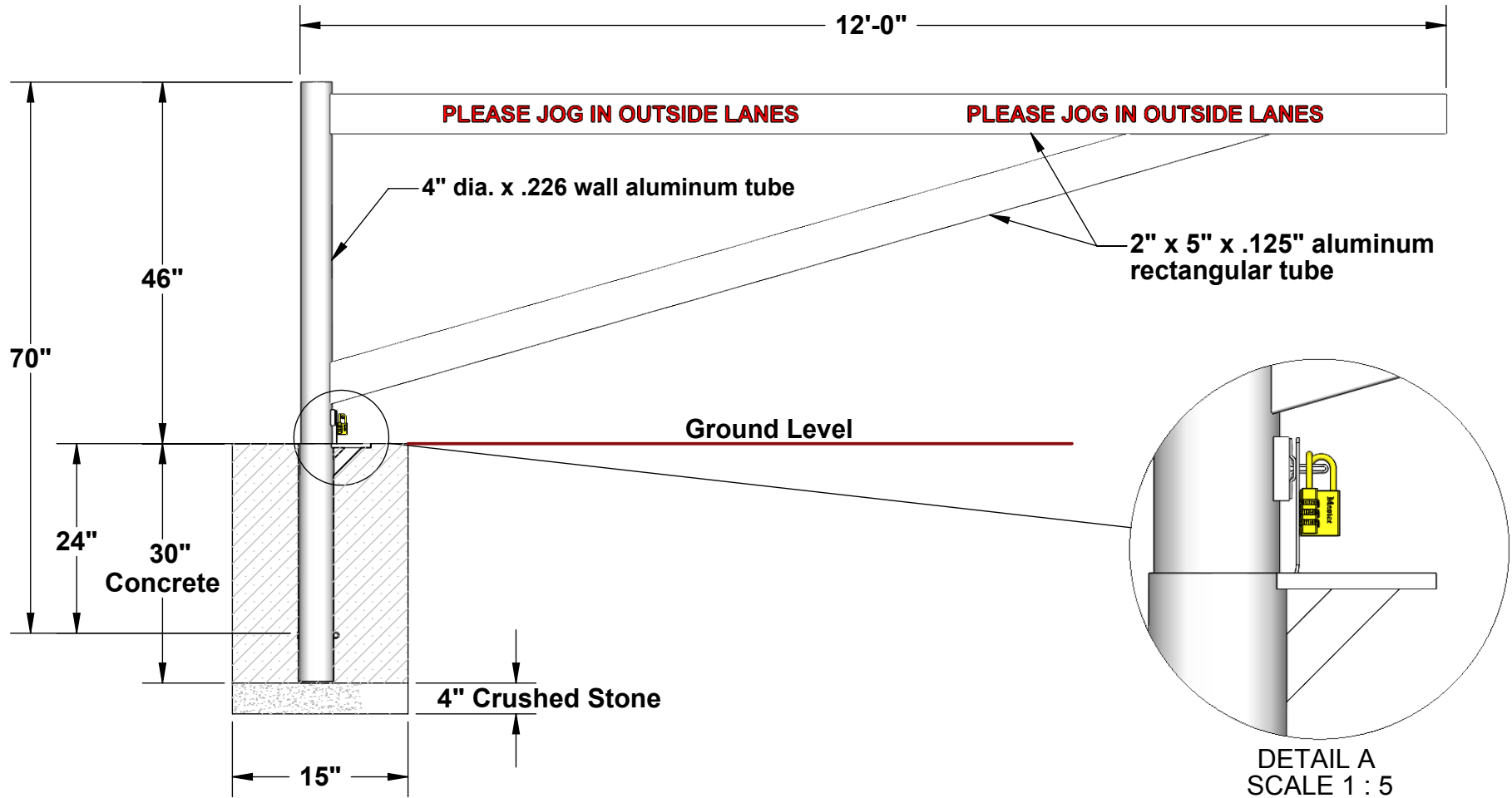
AAE Model No. RTG-L Rotating Track Gate (with Lock)



Aluminum Athletic Equipment
1000 Enterprise Drive, Royersford, PA 19468
Toll Free: (800) 523-5471 Fax: (610) 825-2378
www.AAEsports.com

RTG-L - Rotating Track Gate (with Lock)

Specifications



AAE

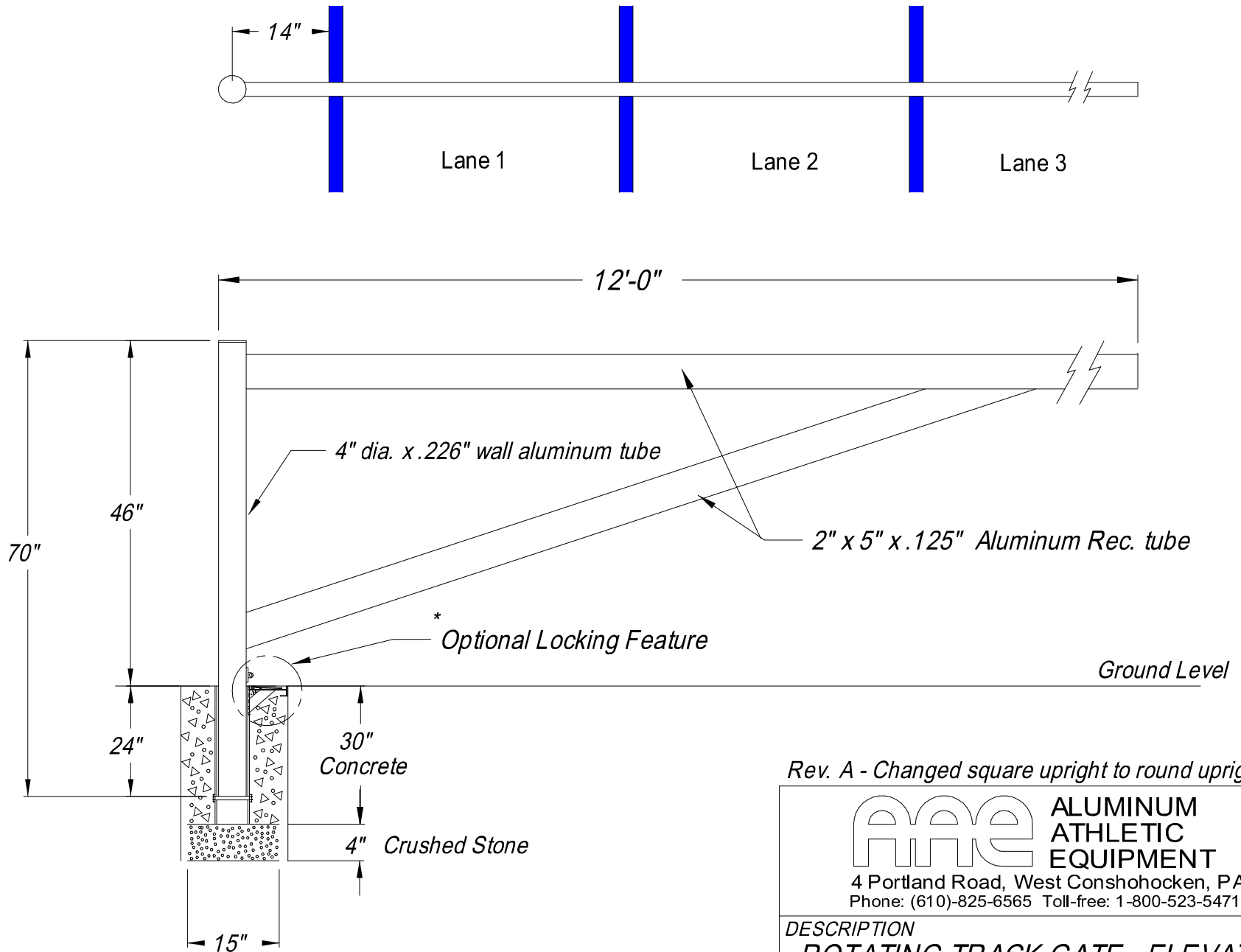
Aluminum Athletic Equipment
 1000 Enterprise Drive, Royersford, PA 19468
 Toll Free: (800) 523-5471 Fax: (610) 825-2378
www.AAEsports.com

DESCRIPTION **RTG-L - Rotating Track Gate (with Lock)**
Specifications

NOTE: Replaces Old Drawing No. AAE-32

MODEL: RTG-L	CATEGORY: CUSTOMER	DATE: 1/29/02
--------------	--------------------	---------------

DRAWN BY: TAD	CAD FILE: RTG-L Specifications	DWG. NO. RTG-L-C-001
---------------	--------------------------------	----------------------



Rev. A - Changed square upright to round upright

AAE ALUMINUM ATHLETIC EQUIPMENT

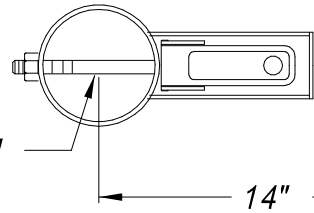
4 Portland Road, West Conshohocken, PA 19428
 Phone: (610)-825-6565 Toll-free: 1-800-523-5471

DESCRIPTION
ROTATING TRACK GATE - ELEVATION

MODEL NO. RTG	ITEM	DATE: 8/11/97
DWN. BY:	REV.	DWG. NO. AAE-32

* Note: Optional Locking feature pictured is available at additional cost.

Stopbolt must be installed perpendicular to Lane 1 (as shown) for proper installation.

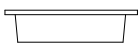


14"

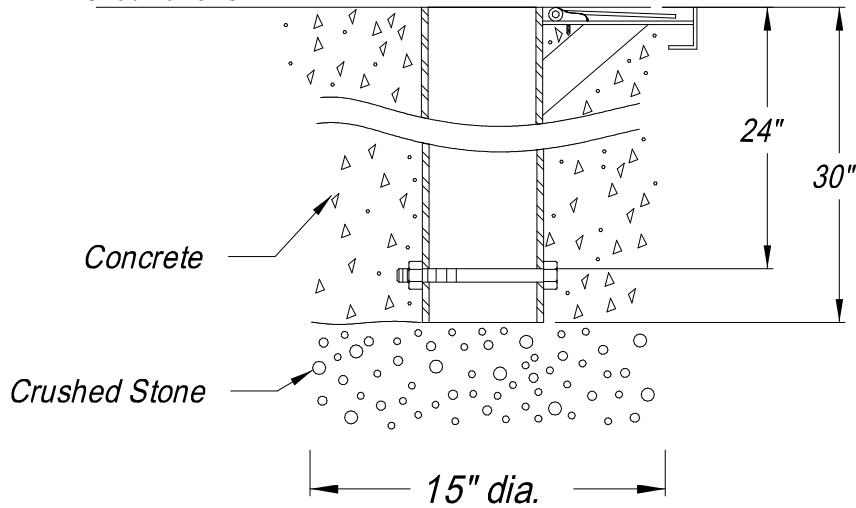
LANE 1



Ground Sleeve Cap



Ground level



Concrete

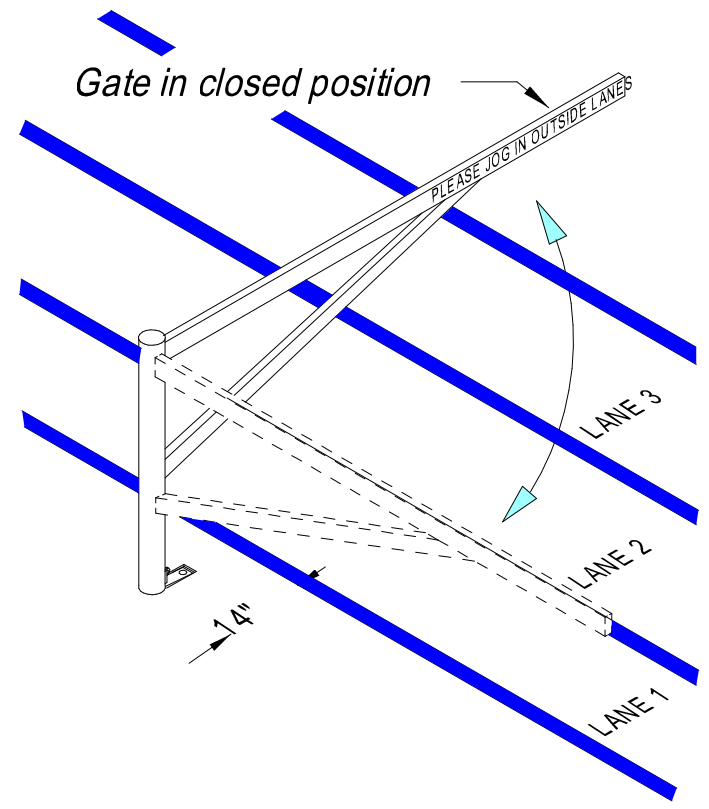
Crushed Stone

15" dia.

24"

30"

Gate in closed position



PLEASE JOG IN OUTSIDE LANES

LANE 3

LANE 2

LANE 1

1/4"



**ALUMINUM
ATHLETIC
EQUIPMENT**

4 Portland Road, West Conshohocken, PA 19428
Phone: (610)-825-6565 Toll-free: 1-800-523-5471

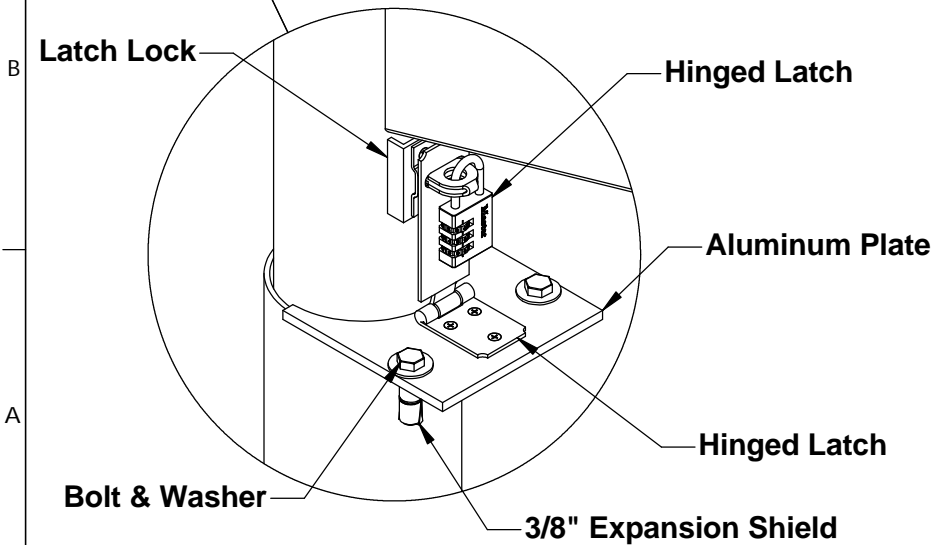
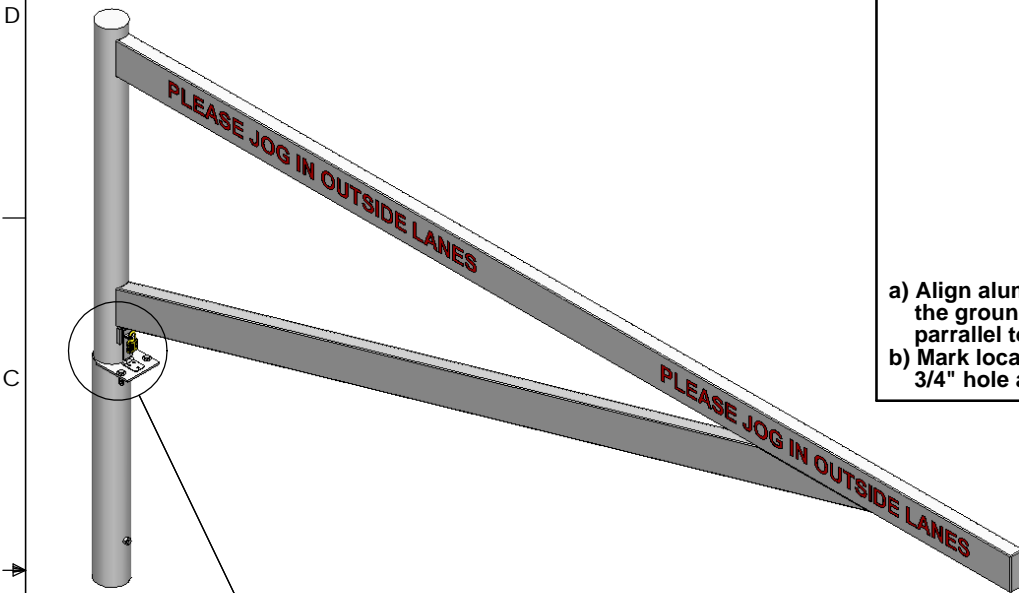
DESCRIPTION

**ROTATING TRACK GATE W/LOCKING FEATURE
GROUND SLEEVE DETAIL**

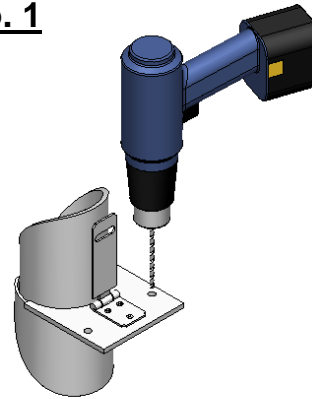
MODEL NO. RTG-LOCK	ITEM	DATE: 8/11/97
DWN. BY:	S/C	REV.
		DWG. NO. AAE-240

Rotating Track Gate

Lock Conversion Instructions

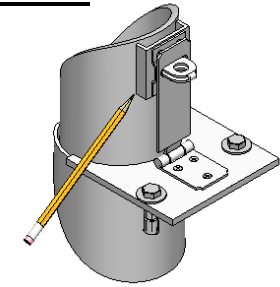


Step No. 1



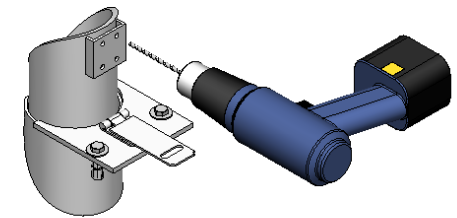
- a) Align aluminum plate concentrically with the groundsleeve, with the front edge parallel to the track.
- b) Mark location of both holes and drill a 3/4" hole at approx. 2" depth.

Step No. 2



- c) Place expansion shields in both holes.
- d) Tighten bolts with washers to secure plate.
- e) With the latch lock in place use the hinged latch to properly align for opening and closing the latch.
- f) Mark the bottom of the latch lock with a pencil when it is in operating position.

Step No. 3



- g) Align the lock latch with the pencil mark.
- h) Using the lock latch as a template, drill a 3/16" hole in all 4 places into the Rotating Track Gate post.
- i) Tighten all (4) screws in place.
- j) The RTG-L is now ready to be locked. (as seen in the bottom left hand corner)



Aluminum Athletic Equipment
 4 Portland Road, West Conshohocken, PA 19428
 Phone: (610) 825-6565 Toll Free: (800) 523-5471

DESCRIPTION			
Rotating Track Gate - Lock Conversion Instructions			
NOTE:			
MODEL:	CATEGORY:	DATE:	
RTG-L (Conversion)	CUSTOMER	7/24/03	
DWN. BY:	CAD FILE:	DWG. NO.:	
TAD	RTG-L Conversion	RTG-L-C-009	

**RTG
ROTATING TRACK GATE
LAYOUT AND INSTALLATION INSTRUCTIONS**

LAYOUT:

Step No. 1
(Location) Locate a point 14" off the inside of Lane #1 (field side) where the track gate will be located. Use this point as a center for the hole to be dug. (Center of the ground sleeve)

Step No. 2
(Excavating) Drill or dig 15"-18" diameter holes a minimum of 34" deep **(Consult local building codes for concrete depth and drainage requirements.)** Add 4" of crushed stone to the bottom of the excavated hole. Insert 30" aluminum ground sleeve ("bolt side" down). Make sure the ground sleeves are flush with the ground, centered, leveled, and plumb. Also, rotate the ground sleeve so that the stopbolt is **perpendicular** with Lane #1.

NOTE: It is extremely important that the ground sleeve be positioned in the proper alignment, so the key slots in rotating gate upright will lock the gate into its proper position when set into the ground sleeve.

Step No. 3
(Pouring concrete) Pour the concrete around the ground sleeve. **(Be sure not to get any concrete inside the ground sleeves!)** As the concrete cures, constantly check to see that the ground sleeve is flush with the ground, centered, plumb, and in the correct alignment.

INSTALLATION:

Step No.1 Insert rotating track gate into the ground sleeve. Raise the gate about 2" from the bottom of the sleeve and rotate to the desired position. Lower the gate to the bottom of the sleeve and rotate slightly, if necessary, to lock the gate in place.

FOR TECHNICAL ASSISTANCE, CALL 1-800-523-5471