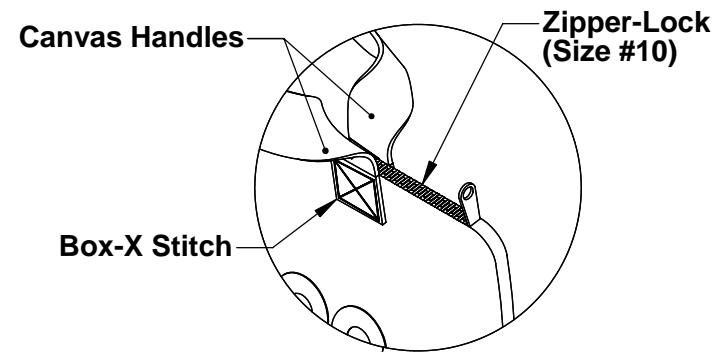
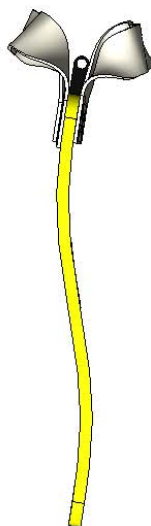


Vinyl Sandbag with Zipper (Heavy-Duty) Specifications



Notes:

Maximum Weight per bag : 60 lbs.
Colors : VSZ-Y - Yellow (Standard)
VSZ-W - White



Aluminum Athletic Equipment
1000 Enterprise Drive, Royersford, PA 19468
Toll Free: (800) 523-5471 Fax: (610) 825-2378
www.aesports.com

DESCRIPTION:		
Vinyl Sandbag with Zipper (Heavy-Duty) - Specifications		
NOTE: Maximum weight per bag = 60 lbs.		
MODEL:	CATEGORY:	DATE:
VSZ-Y & VSZ-W	CUSTOMER	10/5/04
DWN. BY:	CAD FILE:	DWG. NO.
TAD	Vinyl Sandbag with Zipper	VSZ-C-001