

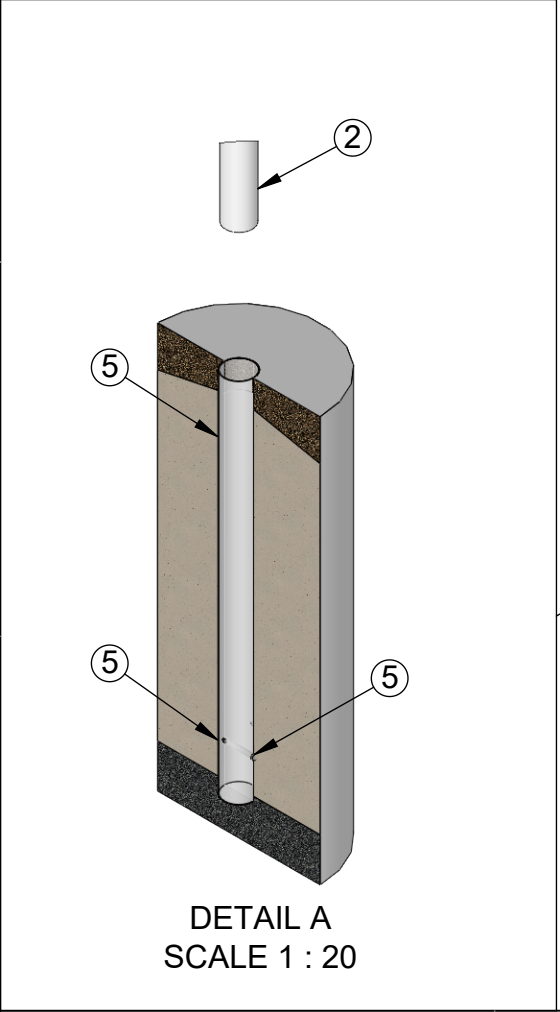
AHG-NFL

D

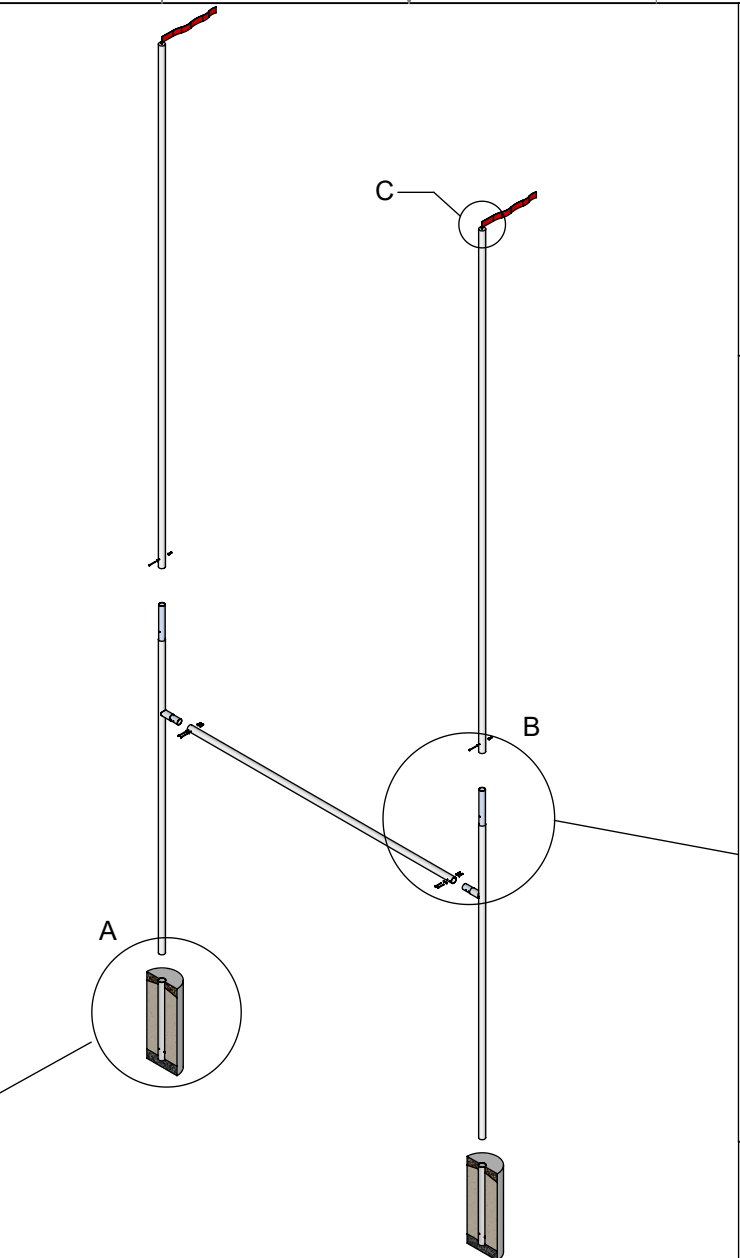
C

B

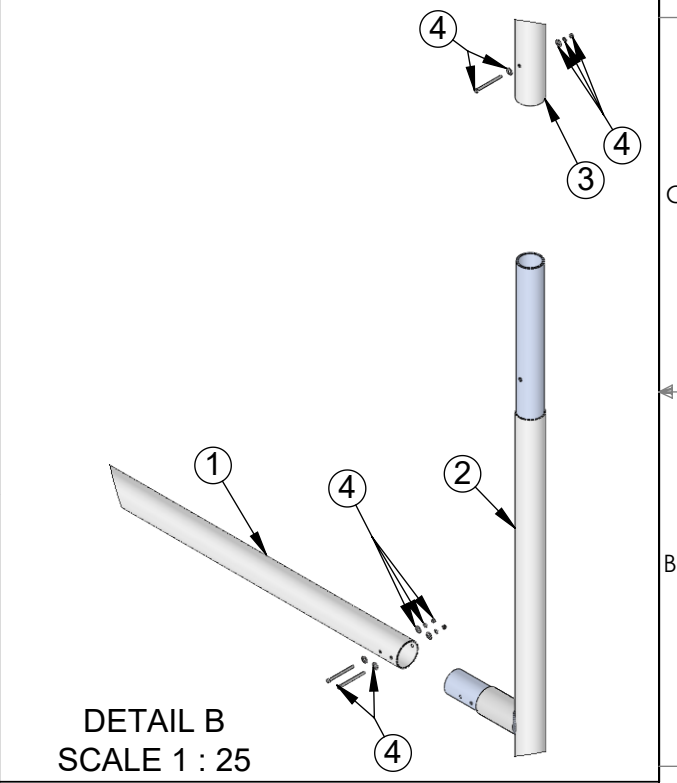
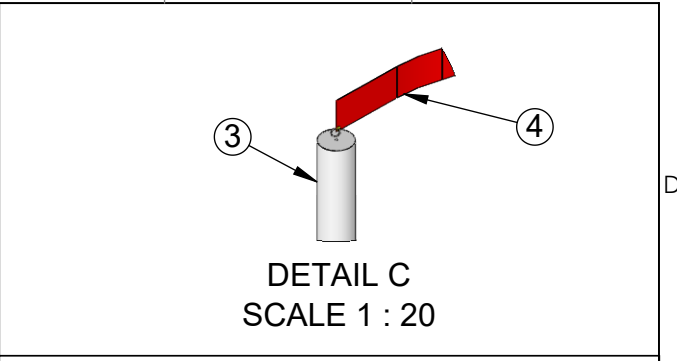
A



Copyright © 2010 Aluminum Athletic Equipment Co.



ITEM NO.	PartNo	DESCRIPTION	QTY.
1	90280	AHG-RUGBY Crossbar	1
2	90296	AHG-RUGBY-I Bottom Upright	2
3	90295	AHG 30'-0" Upright	2
4	90291	AHG Hardware Kit, Double Upright	1
6	90292	AHG-NCAA/I, Ground Sleeve Assembly	2



AAE
Aluminum Athletic Equipment
 1000 Enterprise Drive, Royersford, PA 19468
 Toll Free: (800) 523-5471 Fax: (610) 825-2378
 www.AAEsports.com

DESCRIPTION: **AHG-NFL**

NOTE: AHG-NFL Detailed View

MODEL: AHG-NFL	CATEGORY: CUSTOMER	DATE: 12/1/2020
DWN. BY: CED	CAD FILE: AHG-NFL-Detailed View	DWG. NO. AHG-NFL-C-002

6 5 4 3 2 1