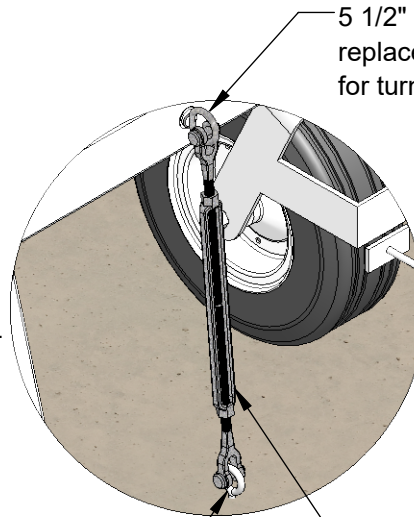
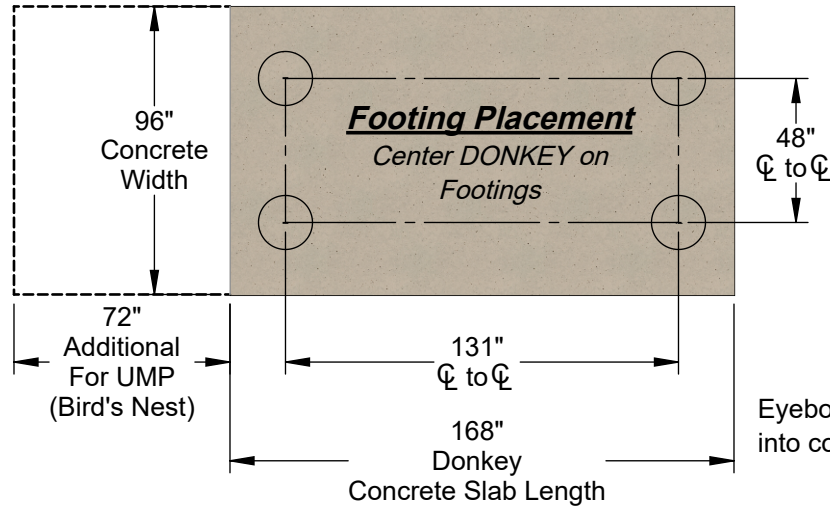
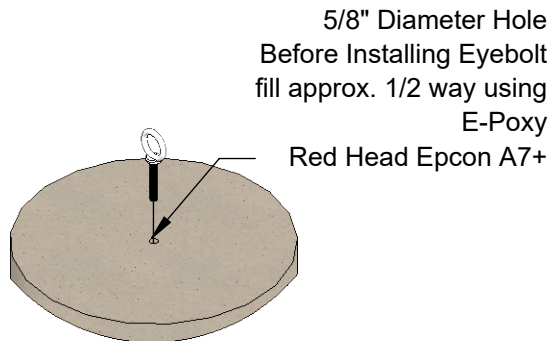
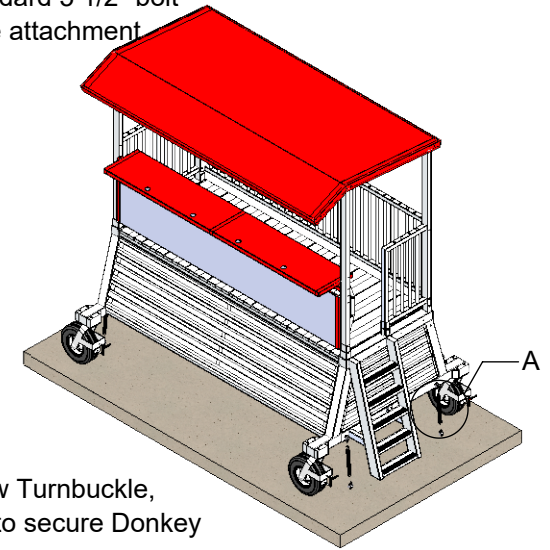


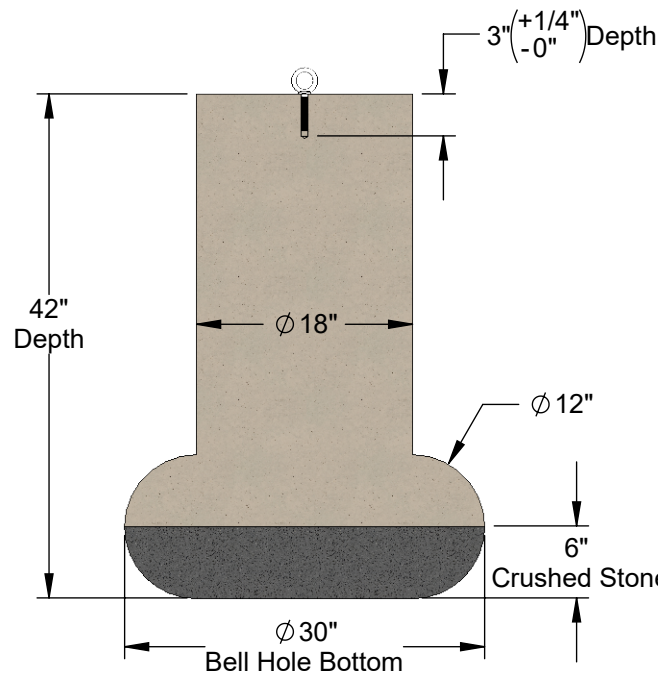
DONKEY - Anchor Options Specifications




DETAIL A
SCALE 1 : 10



DETAIL B
SCALE 1 : 12



Note:
Use Concrete Slab or Footing Method to safely anchor Donkey

 Aluminum Athletic Equipment 1000 Enterprise Drive, Royersford, PA 19468 Toll Free: (800) 523-5471 Fax: (610) 825-2378 www.AAEsports.com			
DESCRIPTION:			
Donkey - Anchor Options Specifications			
NOTE:			
Used for all normal Donkeys - Shown with Donkey -2			
MODEL:	CATEGORY:	OPERATION:	DATE:
DKY-Anchor	CUSTOMER	1 of 1	05/30/2018
DWN. BY:	CAD FILE:	DWG. NO.:	
CED	Donkey, TPG Anchor	DKY-Anchor-C-001	