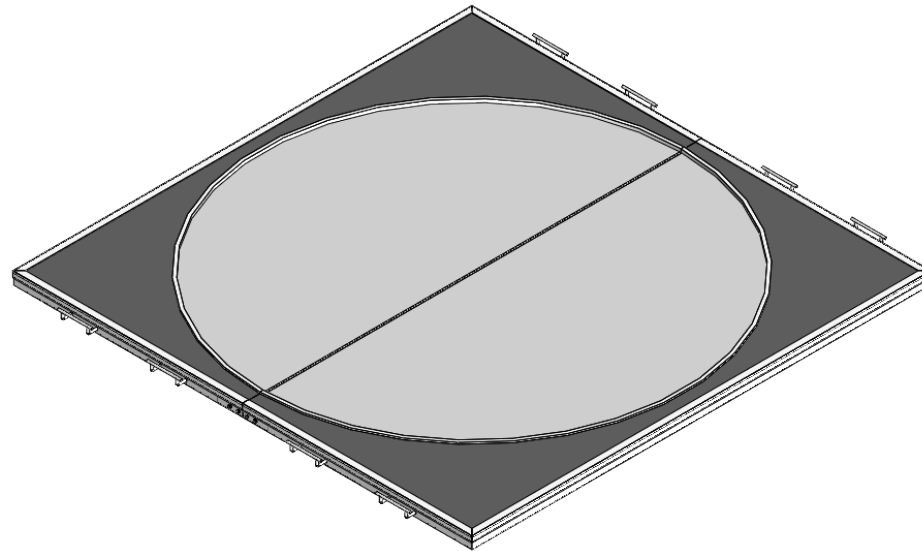


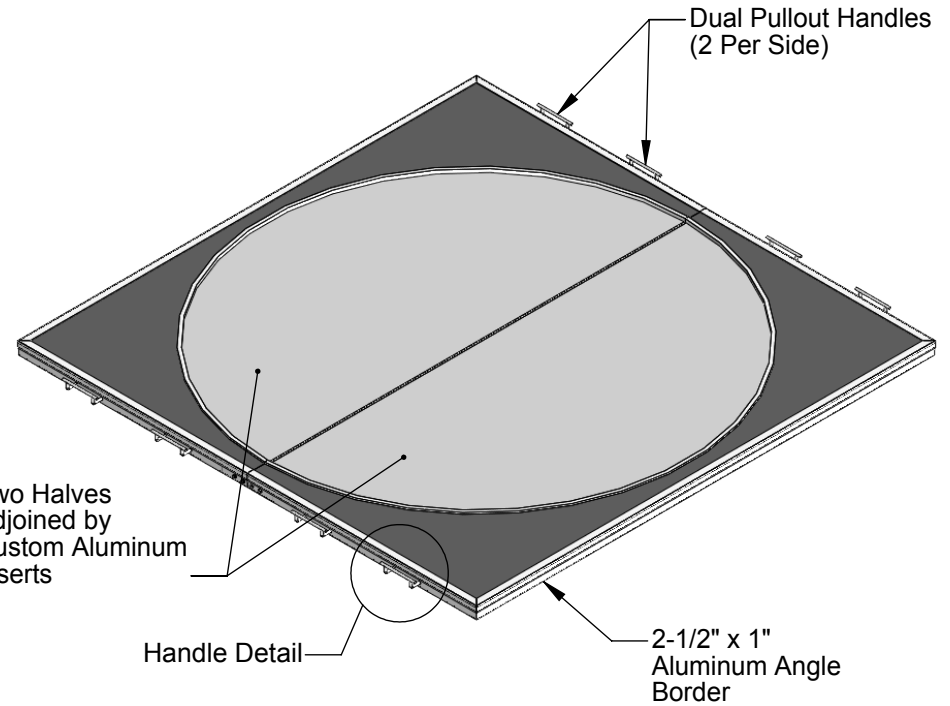
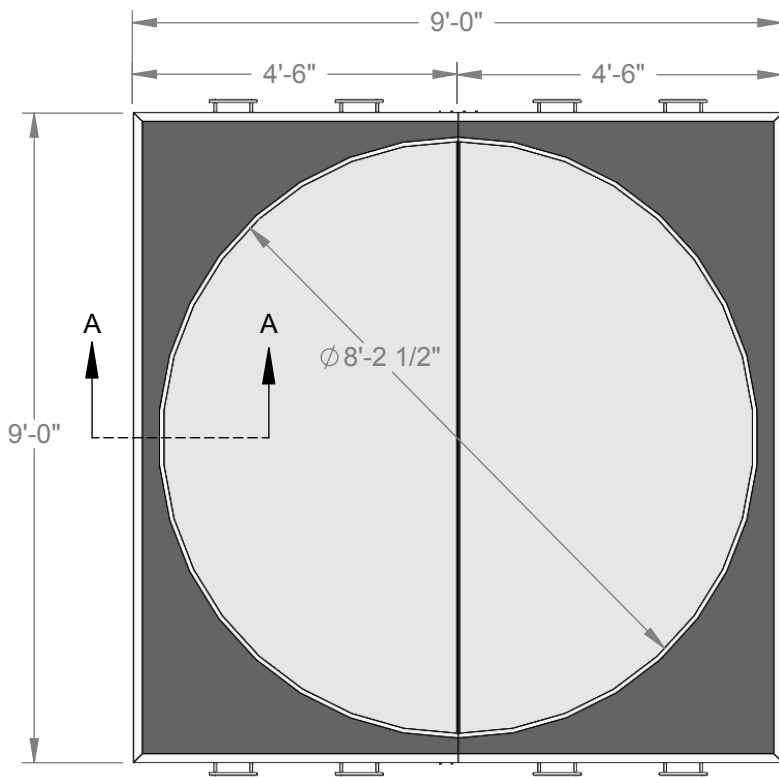
AAE Model No. POP Premier Outdoor Throwing Platform



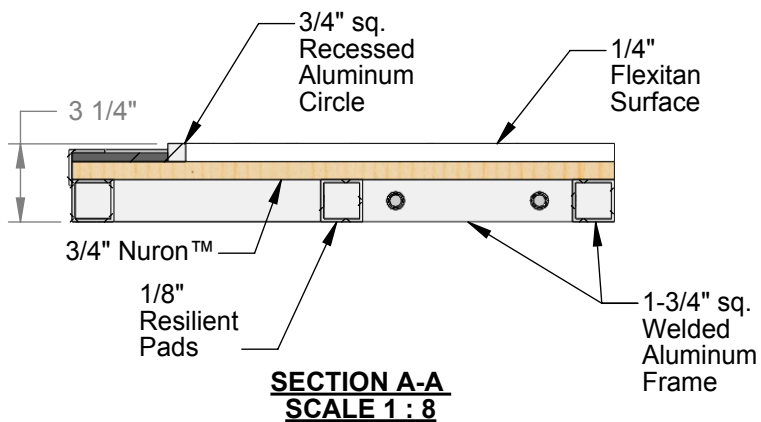
Aluminum Athletic Equipment
1000 Enterprise Drive, Royersford, PA 19468
Toll Free: (800) 523-5471 Fax: (610) 825-2378
www.AAEsports.com

POP - Specifications

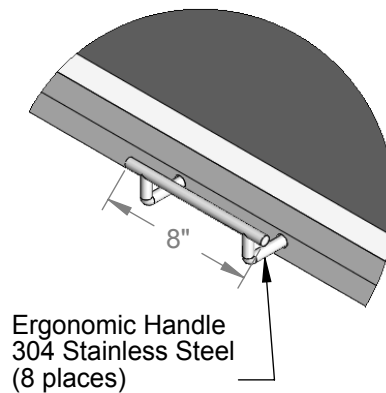
Premier Outdoor Throwing Platform



Platform Detail Specifications



Pullout Handle Detail



Aluminum Athletic Equipment
1000 Enterprise Drive, Royersford, PA 19468
Toll Free: (800) 523-5471 Fax: (610) 825-2378
www.AAEsports.com

DESCRIPTION				POP - Specifications	
NOTE:				Premier Outdoor Throwing Platform	
MODEL:	POP	CATEGORY:	CUSTOMER	DATE:	07/21/11
DWN. BY:	TAD	CAD FILE:	POP - Specifications	DWG. NO.:	POP-C-001