

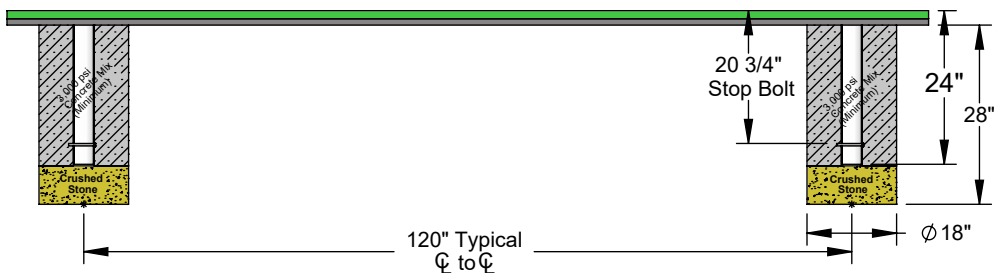
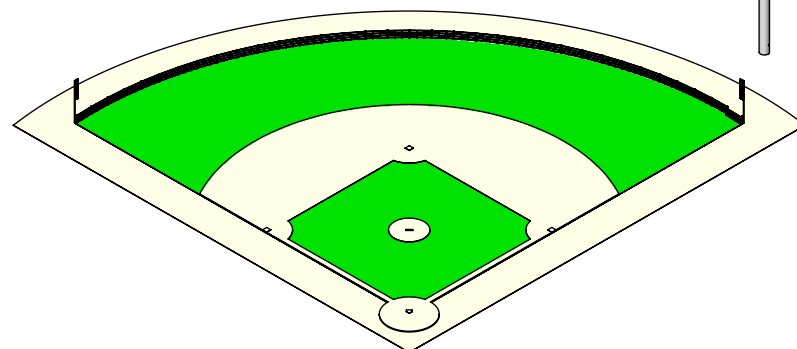
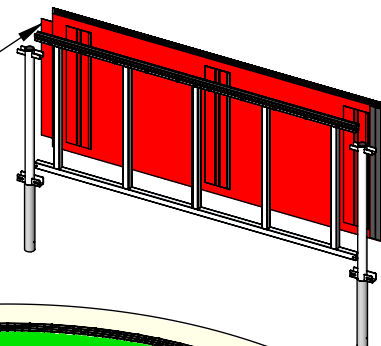
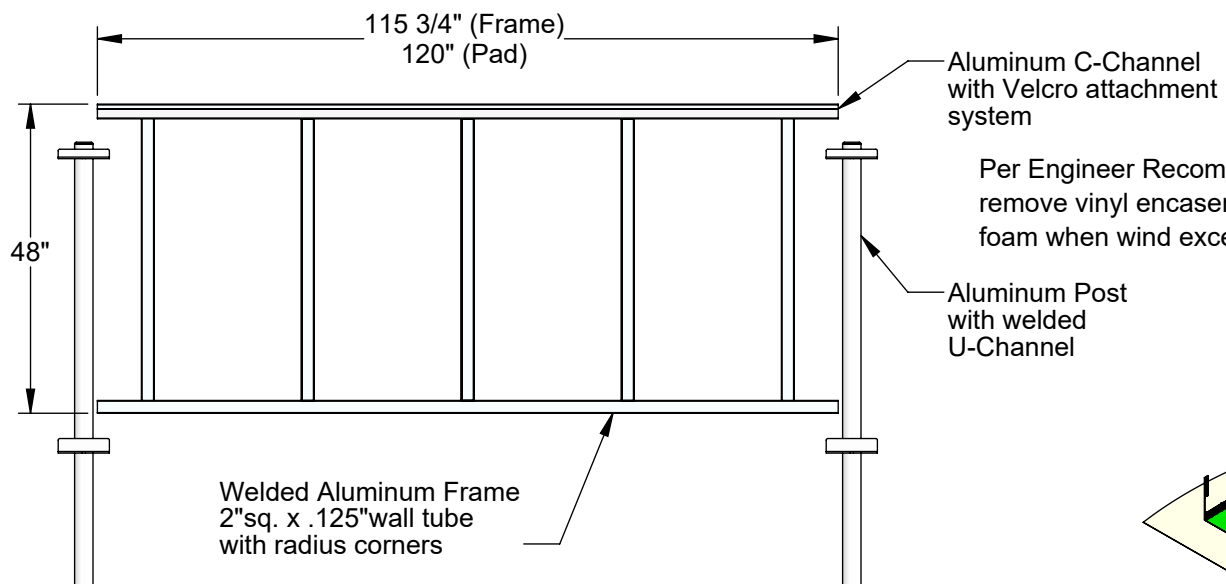
ROW-4 - Removable Outfield Wall, 4' High

Panel Sizes and Layout

Project:

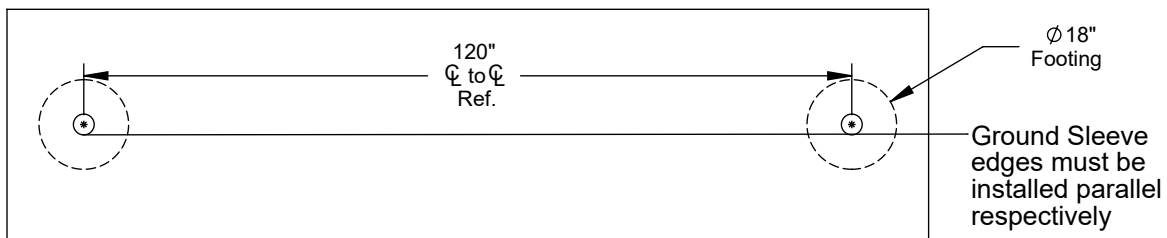
Notes:

- Overall Linear Feet: ____' Outfield Length
- Total # Panels: ____ea.
- Panel's Size: 48" x 115 3/4"
- Footing Spacing: 120" (10') On Center
- Total # Posts: ____ea.



COLOR CHART:

BLUE	GREEN	NAVY BLUE	BLACK
RED	YELLOW	BRIGHT ORANGE	MAROON



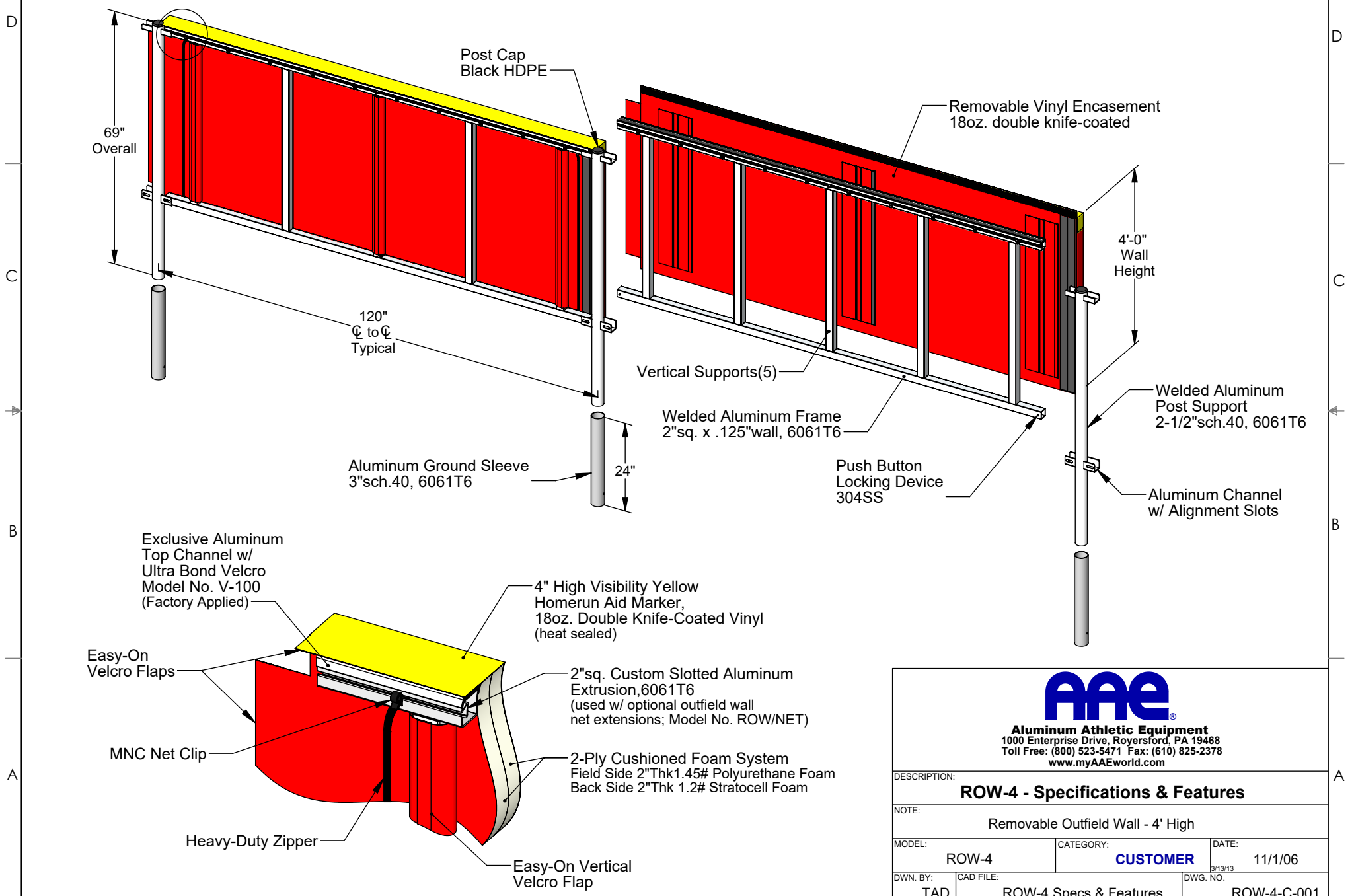
Aluminum Athletic Equipment
1000 Enterprise Drive, Royersford, PA 19468
Toll Free: (800) 523-5471 Phone: (610) 825-6565
aesports.com

DESCRIPTION:
ROW-4 - Removable Outfield Wall - Layout

NOTE: Project:			
MODEL: ROW-4	CATEGORY: CUSTOMER	DATE: 01/11/2021	
DWN. BY: CED	CAD FILE: ROW-4 - Specifications	DWG. NO. ROW-4-C-001	

ROW-4 - Removable Outfield Wall

Specifications & Features





Aluminum Athletic Equipment
 1000 Enterprise Drive, Royersford, PA 19468
 Toll Free: (800) 523-5471 Fax: (610) 825-2378
www.myAAEworld.com

DESCRIPTION:		
ROW-4 - Specifications & Features		
NOTE: Removable Outfield Wall - 4' High		
MODEL:	CATEGORY:	DATE:
ROW-4	CUSTOMER	11/1/06
DWN. BY:	CAD FILE:	DWG. NO.:
TAD	ROW-4 Specs & Features	ROW-4-C-001