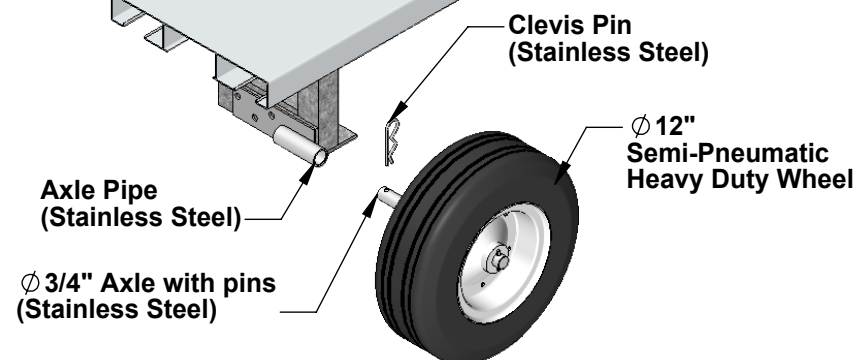
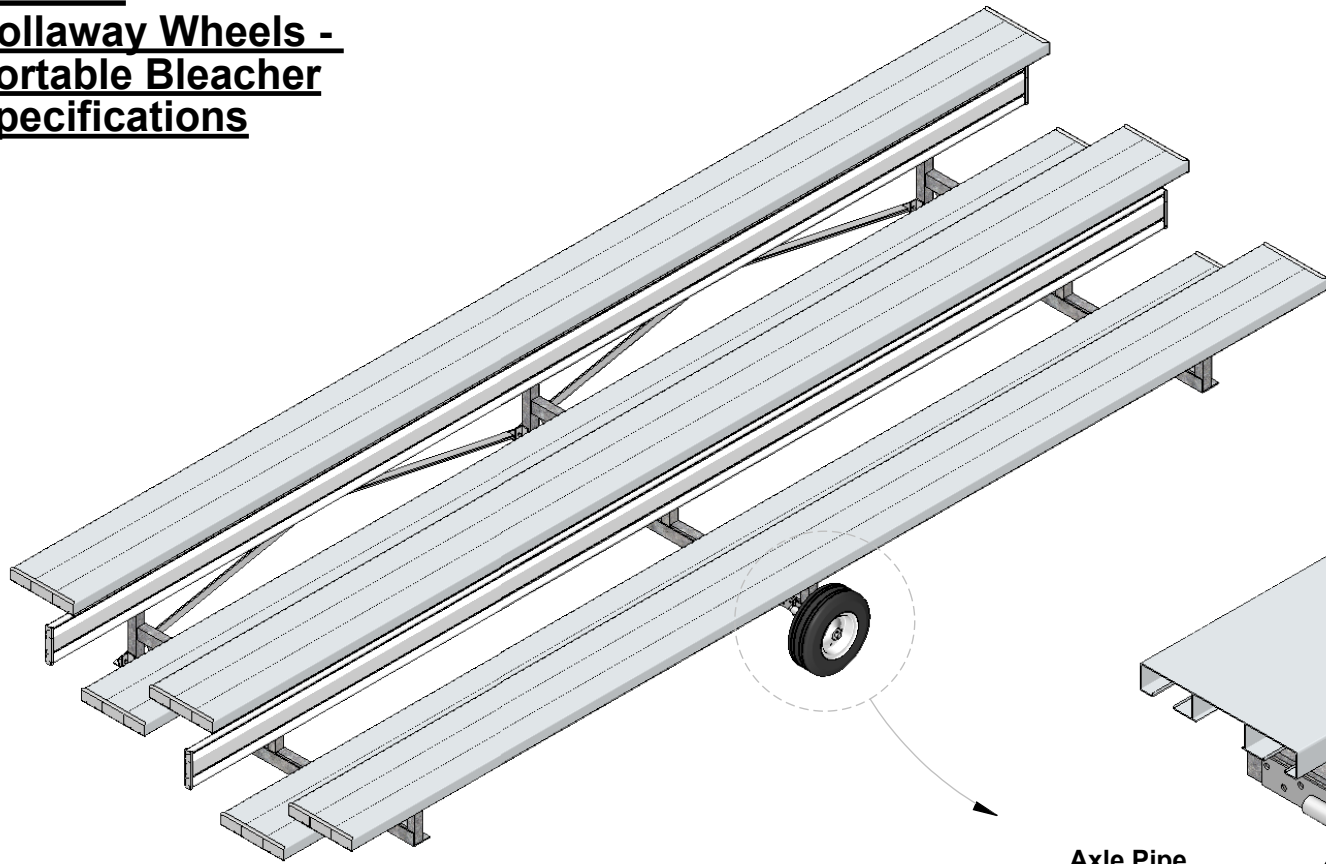


**RW-PB**  
**Rollaway Wheels -**  
**Portable Bleacher**  
**Specifications**



**PB-315/ICC with RW-PB**  
**Portable Bleacher**  
**(Shown Above)**



**Aluminum Athletic Equipment**  
 1000 Enterprise Drive, Royersford, PA 19468  
 Toll Free: (800) 523-5471 Fax: (610) 825-2378  
[www.AAEsports.com](http://www.AAEsports.com)

DESCRIPTION:  
**RW-PB - Rollaway Wheels Portable Bleacher**

NOTE:  
**Specifications Drawing**

MODEL: RW-PB	CATEGORY: CUSTOMER	DATE: 1/2/00
DWN. BY: TAD	CAD FILE: RW-PB - Specifications	DWG. NO. RW-PB-C-001